

IMPORTANT INFORMATION

PLEASE READ CAREFULLY BEFORE INSTALLING THIS PRODUCT:

PLEASE CHECK THAT ALL BATCH NUMBERS ON EACH PACK ARE THE SAME AND ALLOW FOR SUFFICIENT OVERS.

WE RECOMMEND THAT ALL PRODUCTS BE APPROVED BY THE CONSUMER PRIOR TO FITTING.

WE CANNOT ACCEPT ANY CLAIMS IN THIS REGARD ONCE THE PRODUCT HAS BEEN INSTALLED.

**** RECOMMENDED STORAGE GUIDELINES ****

All packages must be stored flat in a secure and dry area
(preferably in the room where flooring is to be installed).

Packages must never be stored directly on a cement floor.

Recommended storage temperature is 20°C. (not in a cold or hot environment and never outdoors).

Relative humidity should be between 40% and 60%.

Do not open package until ready to start installation.

Open and lay one pack at a time.

DYNAMIC CLICK VINYL PLANK INSTALLATION INSTRUCTIONS (GLUELESS SYSTEM)

BASIC PREPARATION

The vinyl planks should be allowed to acclimatize 48 hours prior to installation at room temperature (approx 20°C)

Make sure that the area where the flooring is to be installed is free from moisture by heating the room(s) some days before commencing.

Suitable surfaces for installation are rough, textured or porous, well bonded solid floors, dry and clean, new concrete must be allowed a minimum of 60 days to cure prior to installation. It is recommended that existing wood floors have plywood applied on top.

Unsuitable surfaces are rough uneven surfaces including carpet and underlay. Not suitable in rooms that are prone to flooding, damp concrete or saunas.

Do not install this product in areas which are exposed to long term direct sunlight such as sun rooms or solariums.

The sub floor must be dry (moisture < 5%), clean and level to within +/- 2 mm over a 1 metre run.

Dents or rises of more than 3mm must be levelled. Uneven concrete floors can be levelled with self-levelling compound. Uneven floors of wood can be grinded or planed.

Can be installed over underfloor heating following specific guidelines.

Check all planks for faults or damage before you begin the installation.

Sweep or vacuum the sub-floor. Ensure it is clean and level before you commence.

After installation, any skirting replacement must be adhered to the wall, not the vinyl plank. Decorative beading should be fixed to original skirting only.

WARNING: DO NOT REMOVE OLD RESILIENT FLOORING. THESE PRODUCTS MAY CONTAIN EITHER ASBESTOS FIBERS OR CRYSTALLINE SILICA, WHICH CAN BE HARMFUL TO YOUR HEALTH.

LAYING

Tools and accessories for a correct installation:

You will need a Utility Knife, Spacers, Pencil, Tape Measure, Ruler and Safety Goggles.

1. Start in a corner by placing the first plank facing the wall no expansion gap required between wall and flooring. See Diagram 1.
2. Insert the end tongue of the second plank into the end groove of the very first plank at an angle of approx 15-20 degrees. The plank will click into place when lowered. Carefully line up edges, the planks should be flat to the floor. See Diagram 2.
3. Continue connecting the first row until you reach the last full plank. Fit the last plank by rotating the plank 180° with the pattern side upward, place beside row. Measure and mark, then using a ruler and utility knife, score the plank and snap off. Attach as described above. See Diagram 3.
4. Start the following row by using the cut off piece from the previous row to allow a staggered pattern. Pieces should be a minimum of 20cm in length and offset of the joints at least 40cm. See Diagram 4.

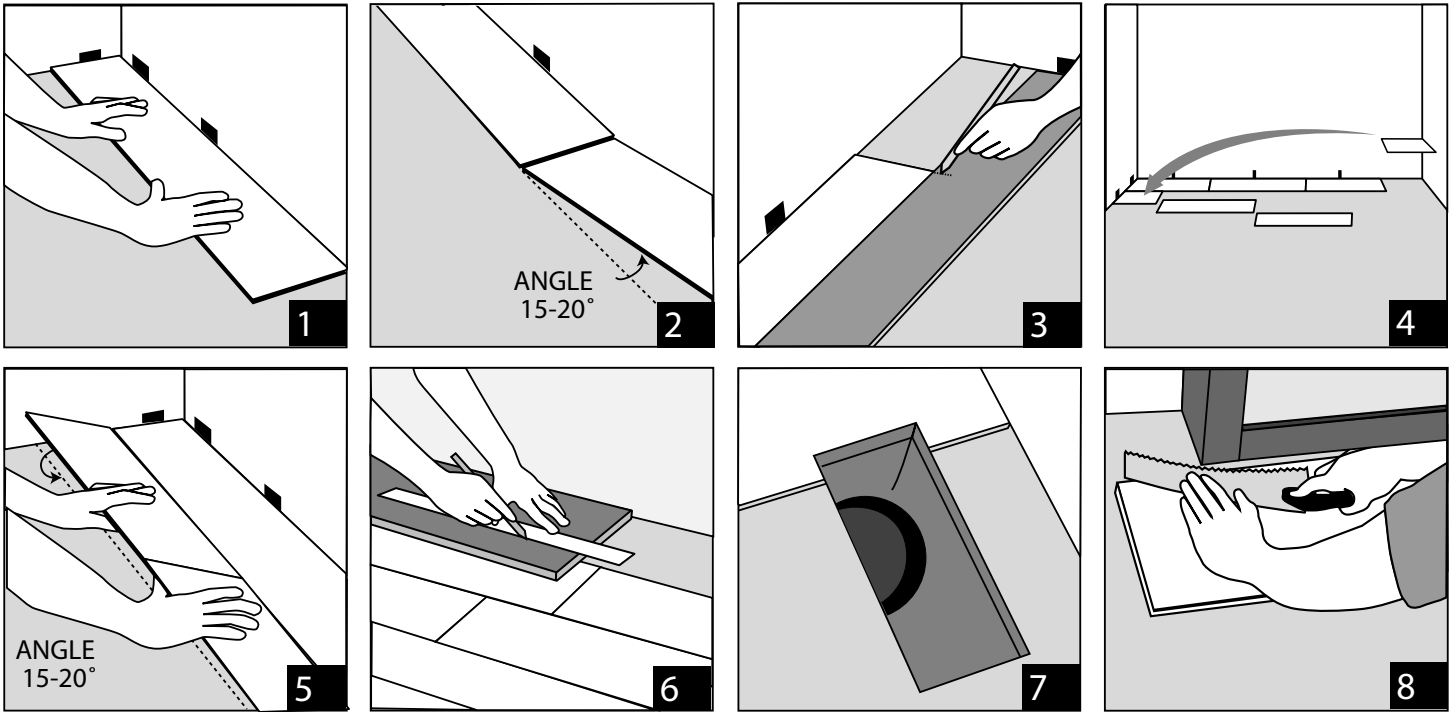
NOTE: It is faster to assemble planks into a new row at the ends and then attach the entire row to the previous row on the long sides.

To start your second row, lay your first plank on the subfloor. Take the second plank, insert the end tongue into the groove of the first plank at an angle of approx 15-20 degrees. When lowered, the plank will click into place with light pressure. The planks should be flat to the floor and observe that gaps are as small as possible. Continue installing the planks like this until you have your second row complete.

To attach the second row to the first row, tilt and push the side tongue into the side groove of the first panel at an angle of approx 15-20 degrees. Lower and click into place carefully lining up the edges. Continue laying remaining planks in this manner. See Diagram 5.

5. To fit the last row, lay a plank on top of the previous row. With the tongue facing the wall, lay another plank upside down on the one to be measured and use it as a ruler, remembering to leave room for spacers. Carefully cut the plank and attach in position. See Diagram 6.
6. Door frames and heating vents also require expansion gaps. First cut the plank to the correct length. Then place the cut plank next to its actual position and use a ruler to measure the areas to be cut out and mark them. Cut out the marked points allowing the necessary expansion distance on each side. See Diagram 7.
7. Door frames can easily be trimmed by turning a plank upside down and using a handsaw to cut away the necessary height enabling the plank to slide under the frame. See Diagram 8.

PLEASE REMEMBER!! FLOORING WILL NOT BE REPLACED BY YOUR SUPPLIER ONCE IT HAS BEEN INSTALLED.



CARE AND MAINTENANCE

Sweep regularly to remove surface grit and dust. Use a damp cloth or mop to clean up any dirt and footprints but avoid using excessive moisture. All spills should be cleaned up immediately. CAUTION: Planks are slippery when wet.

Do not use a wet spray micro fibre mop. Never use wax, polish, abrasive cleaners or scouring agents as they may dull or distort the finish.

High heels can damage floors. Use protective pads under furniture. Use doormats at entrance ways to protect floor from damage and discolouring.

Do not allow pets with unclipped nails to scratch or damage the floor.

Avoid exposure to direct sunlight for prolonged periods of time. Use curtains or blinds to minimize direct sunlight during peak sunlight hours.

It's always a good idea to keep a few planks aside in case of accidental damage. Planks can be replaced or repaired by a flooring professional.

WARRANTY

This guarantee is for replacement or refund of the vinyl plank flooring only, no labour (including the cost of labour for installation of the replacement floor) or costs incurred with loss of time, incidental expenses or any other damage. It does not cover damage from improper installation or maintenance, burns, tears, indentations, stains or reduction in gloss level due to normal use, wear and tear and or exterior applications. Improper installation or workmanship should be directed to the contractor who installed the floor.



30 Year Residential Warranty

Our 30 Year Residential Warranty for vinyl plank means that for 30 years, from the date of purchase, your floor will be free from manufacturing defects if installed and maintained according to manufacturers instructions supplied with each pack.



10 Year Commercial Warranty

Our 10 Year Commercial Warranty for vinyl plank means that for 10 years, from the date of purchase, your floor will be free from manufacturing defects if installed and maintained according to manufacturers instructions supplied with each pack.